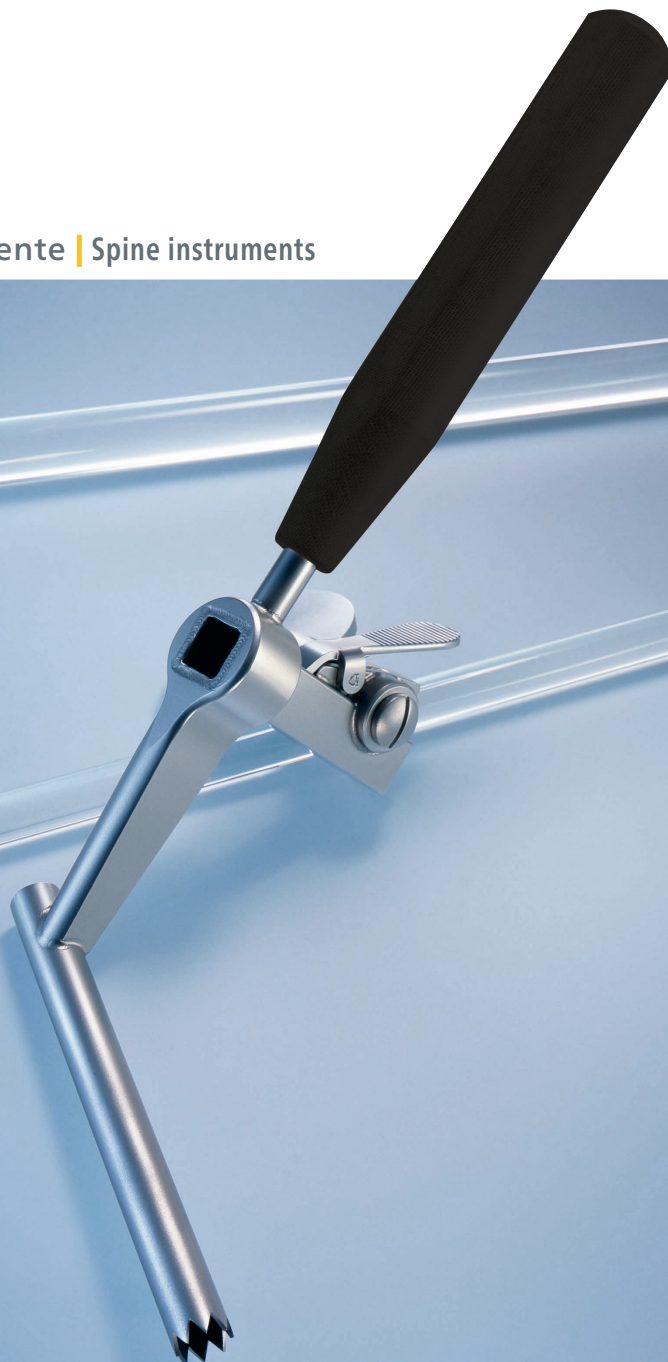
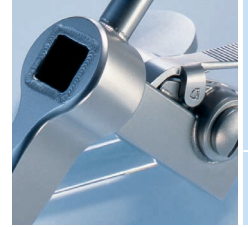




Wirbelsäulen-Instrumente | Spine instruments







**CASPAR**

**MB1-10-740-12**

Vertebra Spinalspreizer,  
rechts  
kurze Zahnstange: 110 mm  
**Vertebral distractor, right**  
short toothed bar: 110 mm

**MB1-10-742-12**

Vertebra Spinalspreizer,  
rechts  
lange Zahnstange: 130 mm  
**Vertebral distractor, right**  
long toothed bar: 130 mm



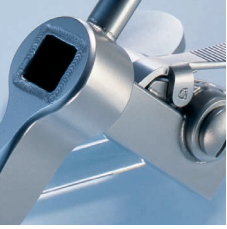
**CASPAR**

**MB1-10-740-02**

Vertebra Spinalspreizer,  
links  
kurze Zahnstange: 110 mm  
**Vertebral distractor, left**  
short toothed bar: 110 mm

**MB1-10-742-02**

Vertebra Spinalspreizer,  
links  
lange Zahnstange: 130 mm  
**Vertebral distractor, left**  
long toothed bar: 130 mm



**CASPAR**

**MB1-10-744-02**

Bohrbuchse, links,  
mit Ferozellgriff  
Drill guide, left,  
with phenolic handle

**MB1-10-744-22**

Bohrbuchse, links, mit  
schwarzem Radel-  
griff (PPSU)  
Drill guide, left, with black  
Radel handle (PPSU)



**CASPAR**

**MB1-10-744-12**

Bohrbuchse, rechts,  
mit Ferozellgriff  
Drill guide, right,  
with phenolic handle

**MB1-10-744-24**

Bohrbuchse, rechts, mit  
schwarzem Ra-  
delgriff (PPSU)  
Drill guide, right, with  
black Radel handle (PPSU)



**CASPAR**

**MB1-10-746-02**

Schraubendreher,  
mit Ferozellgriff  
Screw driver,  
with phenolic handle

**MB1-10-746-22**

Schraubendreher, mit  
schwarzem Ra-  
delgriff (PPSU)  
Screw driver, with black  
Radel handle (PPSU)



**CASPAR**

MB1-10-747-02	12 mm
MB1-10-747-04	14 mm
MB1-10-747-06	16 mm
MB1-10-747-08	18 mm

Schraube  
Screw



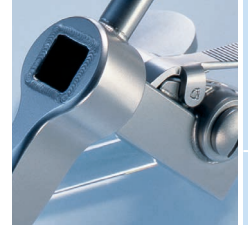
**CASPAR**

**MB1-10-748-02**

Bohrer, Länge 14 mm  
Twist drill, length 14 mm

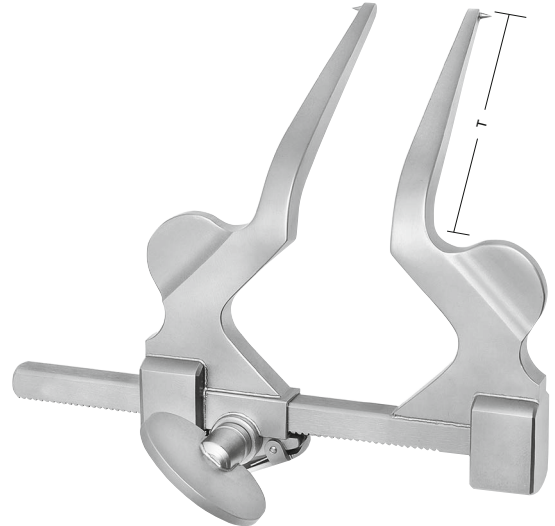
**MB1-10-748-04**

Bohrer, Länge 8 mm  
Twist drill, length 8 mm



MB1-10-750-02	T = 127 mm – 5"
---------------	-----------------

Vertebra Spinalspreizer, Spreizweite 18 mm  
Vertebral distractor, spreading width 18 mm



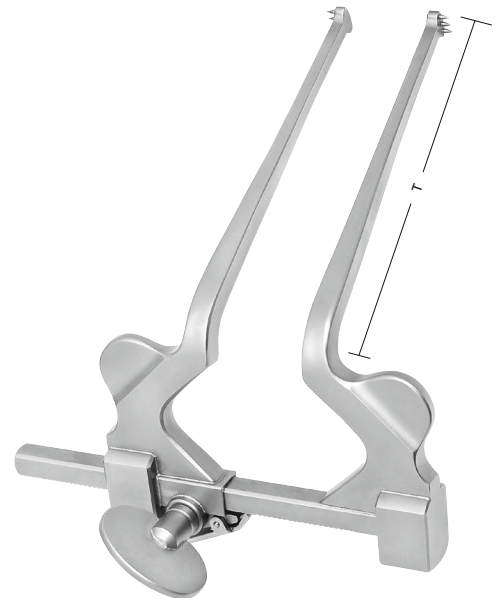
MB1-10-750-05	T = 70 mm – 2¾"
---------------	-----------------

Vertebra Spinalspreizer, Spreizweite 80 mm, eine Spitze  
Vertebral distractor, spreading width 80 mm, one pointed tip



MB1-10-760-05	T = 85 mm – 3⅜"
---------------	-----------------

Vertebra Spinalspreizer, Spreizweite 70 mm, drei Spitzen  
Vertebral distractor, spreading width 70 mm, three pointed tip



MB1-10-760-07	T = 100 mm – 4"
---------------	-----------------

Vertebra Spinalspreizer, Spreizweite 70 mm, drei Spitzen  
Vertebral distractor, spreading width 70 mm, three pointed tip

**CASPAR**

---

**MB1-10-790-05**

---

Cervical Spreizer longitudinal, Länge: 170 mm  
Longitudinal cervical retractor, length: 170 mm

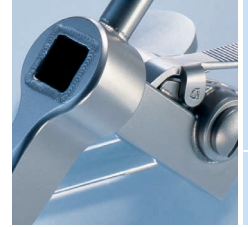
**CASPAR**

---

**MB1-10-780-05**

---

Cervical Spreizer transversal, Länge: 105 mm  
Transversal cervical retractor, length: 105 mm



	B – width	T – depth
MB1-10-783-05	24 mm	25 mm
MB1-10-783-10	24 mm	30 mm
MB1-10-783-15	24 mm	35 mm
MB1-10-783-20	24 mm	40 mm
MB1-10-783-25	24 mm	45 mm
MB1-10-783-30	24 mm	50 mm
MB1-10-783-35	24 mm	55 mm
MB1-10-783-40	24 mm	60 mm
MB1-10-783-45	24 mm	65 mm
MB1-10-783-50	24 mm	70 mm
MB1-10-783-55	24 mm	75 mm

Mittlere gezahnte Retraktor Valven  
Medial toothed retractor blades



	B – width	T – depth
MB1-10-784-05	24 mm	25 mm
MB1-10-784-10	24 mm	30 mm
MB1-10-784-15	24 mm	35 mm
MB1-10-784-20	24 mm	40 mm
MB1-10-784-25	24 mm	45 mm
MB1-10-784-30	24 mm	50 mm
MB1-10-784-35	24 mm	55 mm
MB1-10-784-40	24 mm	60 mm
MB1-10-784-45	24 mm	65 mm
MB1-10-784-50	24 mm	70 mm
MB1-10-784-55	24 mm	75 mm

Feingezahnte seitliche Retraktor Valven  
Medial toothed retractor blades



	B – width	T – depth
MB1-10-785-05	24 mm	25 mm
MB1-10-785-10	24 mm	30 mm
MB1-10-785-15	24 mm	35 mm
MB1-10-785-20	24 mm	40 mm
MB1-10-785-25	24 mm	45 mm
MB1-10-785-30	24 mm	50 mm
MB1-10-785-35	24 mm	55 mm
MB1-10-785-40	24 mm	60 mm
MB1-10-785-45	24 mm	65 mm
MB1-10-785-50	24 mm	70 mm
MB1-10-785-55	24 mm	75 mm

Stumpfe längslaufende Retraktor Valven  
Blunt longitudinal retractor blades



	B – width	T – depth
MB1-10-786-05	24 mm	50 mm
MB1-10-786-10	24 mm	60 mm

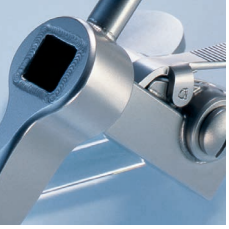
Gefensterter Valven  
Fenestrated iliac blades

	B – width	T – depth
MB1-10-781-05	19 mm	25 mm
MB1-10-781-10	19 mm	30 mm
MB1-10-781-15	19 mm	35 mm
MB1-10-781-20	19 mm	40 mm
MB1-10-781-25	19 mm	45 mm
MB1-10-781-30	19 mm	50 mm
MB1-10-781-35	19 mm	55 mm
MB1-10-781-40	19 mm	60 mm

Schmale mittlere gezahnte Retraktor Valven  
Small medial toothed retractor blades

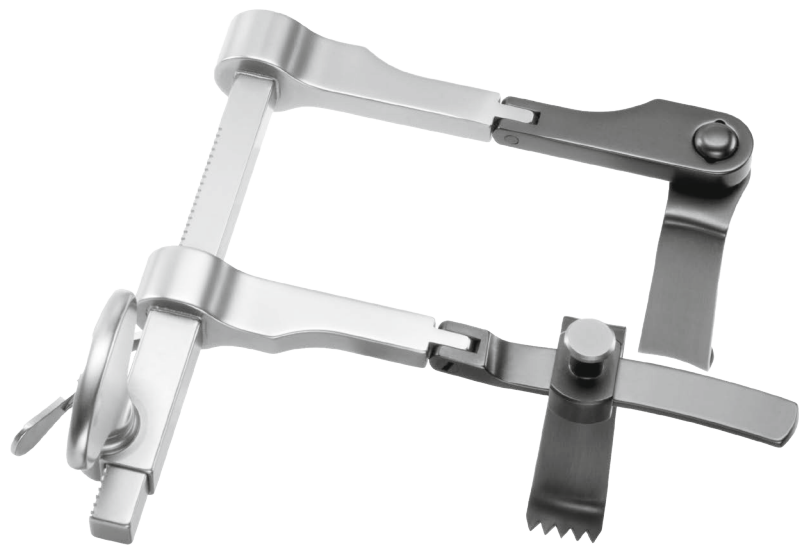
	B – width	T – depth
MB1-10-782-05	19 mm	25 mm
MB1-10-782-10	19 mm	30 mm
MB1-10-782-15	19 mm	35 mm
MB1-10-782-20	19 mm	40 mm
MB1-10-782-25	19 mm	45 mm
MB1-10-782-30	19 mm	50 mm
MB1-10-782-35	19 mm	55 mm
MB1-10-782-40	19 mm	60 mm

Schmale stumpfe Retraktor Valven  
Small blunt toothed retractor blades



	Blattlänge – blade length
MB1-10-772-05	40 mm
MB1-10-772-10	45 mm
MB1-10-772-15	50 mm
MB1-10-772-20	55 mm
MB1-10-772-25	60 mm
MB1-10-772-30	65 mm
MB1-10-772-35	75 mm
MB1-10-772-40	80 mm
MB1-10-772-45	85 mm

CASPAR Wirbelsäulenspeculum,  
 schwarz, TiAlN beschichtet  
 CASPAR spine specula, black, TiAlN coated surface

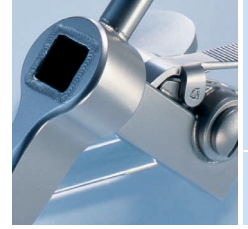


### CASPAR

MB1-10-775-00

Gegensperrer, schwarz-silber (ohne Valven)  
 Counter retractor, black-silver (without blades)





	Blattlänge – blade length
MB1-10-773-05	40 mm
MB1-10-773-10	45 mm
MB1-10-773-15	50 mm
MB1-10-773-20	55 mm
MB1-10-773-25	60 mm
MB1-10-773-30	65 mm
MB1-10-773-35	70 mm
MB1-10-773-40	75 mm

CASPAR Valve medial, schwarz, TiAIN beschichtet  
CASPAR blade, medial, black, TiAIN coated surface



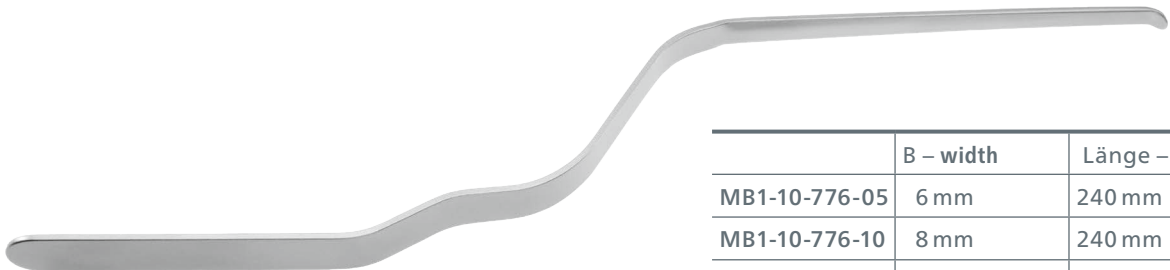
	Blattlänge – blade length
MB1-10-774-05	35 mm
MB1-10-774-10	40 mm
MB1-10-774-15	45 mm
MB1-10-774-20	50 mm
MB1-10-774-25	55 mm
MB1-10-774-30	60 mm
MB1-10-774-35	65 mm
MB1-10-774-40	75 mm
MB1-10-774-45	80 mm
MB1-10-774-50	85 mm

CASPAR Valve lateral, schwarz, TiAIN beschichtet  
CASPAR blade, lateral, black, TiAIN coated surface



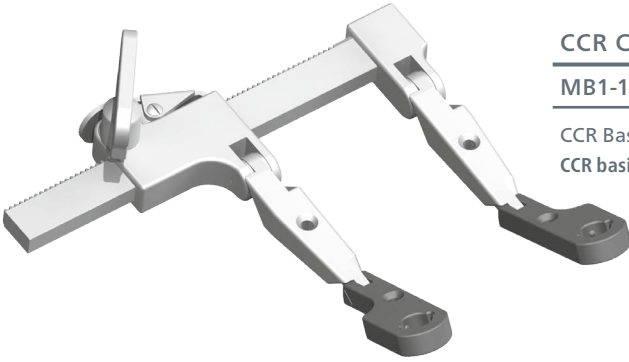
MB1-10-775-10

Entnahmepinzette für Valven  
Retractor blade ejector



	B – width	Länge – length
MB1-10-776-05	6 mm	240 mm
MB1-10-776-10	8 mm	240 mm
MB1-10-776-15	10 mm	240 mm

Nerven-Wurzel-Haken  
Nerve root retractor



### CCR CASPAR Cervical Retractor

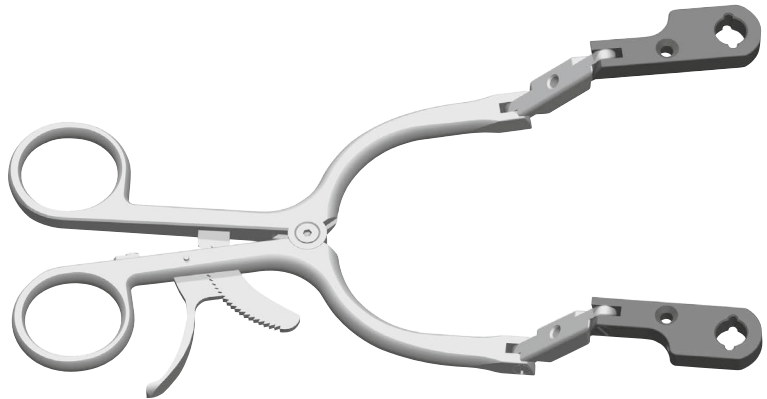
MB1-10-793-05

CCR Basisretractor mit Doppelgelenk, distales Gelenk aus Titan, röntgendurchlässig  
CCR basic retractor with double hinge, distal hinge out of titanium, radiolucent



MB1-10-793-10

CCR Gegensperrer distales Gelenk aus Titan, röntgendurchlässig  
CCR counter retractor, distal hinge out of titanium, radiolucent



MB1-10-793-15

CCR Basis-Gegensperrer mit Doppelgelenk , distales Gelenk aus Titan, röntgendurchlässig  
CCR basic counter retractor, double hinge, distal hinge out of titanium, radiolucent

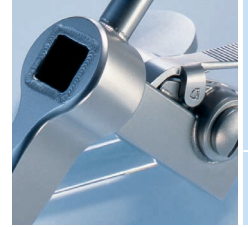


MB1-10-794-05

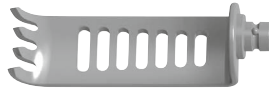
Handgriff für Valven mit schwarzem Radelgriff (PPSU)  
Handle for blades with black Radel handle (PPSU)

MB1-10-794-10

Tiefenmeßstab zur Bestimmung der entsprechenden Valvenlänge  
Depth gauge to determine the appropriate blade length



CCR Valven (röntgendurchlässig)  
CCR blades (radiolucent)



	B – width	T – depth
MB1-10-795-05	19 mm	25 mm
MB1-10-795-10	19 mm	30 mm
MB1-10-795-15	19 mm	35 mm
MB1-10-795-20	19 mm	40 mm
MB1-10-795-25	19 mm	45 mm
MB1-10-795-30	19 mm	50 mm
MB1-10-795-35	19 mm	55 mm
MB1-10-795-40	19 mm	60 mm
MB1-10-795-45	19 mm	65 mm
MB1-10-795-50	19 mm	70 mm
MB1-10-795-55	19 mm	75 mm

CCR Valve, 4-zahnig medial/lateral,  
Titan, grün

CCR blade, 4 teeth medial/lateral,  
titan, green



	B – width	T – depth
MB1-10-796-05	19 mm	25 mm
MB1-10-796-10	19 mm	30 mm
MB1-10-796-15	19 mm	35 mm
MB1-10-796-20	19 mm	40 mm
MB1-10-796-25	19 mm	45 mm
MB1-10-796-30	19 mm	50 mm
MB1-10-796-35	19 mm	55 mm
MB1-10-796-40	19 mm	60 mm
MB1-10-796-45	19 mm	65 mm
MB1-10-796-50	19 mm	70 mm
MB1-10-796-55	19 mm	75 mm

CCR Valve, stumpf längslaufend,  
Titan, grün

CCR blade, blunt longitudinal,  
titan, green



	B – width	T – depth
MB1-10-797-05	24 mm	25 mm
MB1-10-797-10	24 mm	30 mm
MB1-10-797-15	24 mm	35 mm
MB1-10-797-20	24 mm	40 mm
MB1-10-797-25	24 mm	45 mm
MB1-10-797-30	24 mm	50 mm
MB1-10-797-35	24 mm	55 mm
MB1-10-797-40	24 mm	60 mm
MB1-10-797-45	24 mm	65 mm
MB1-10-797-50	24 mm	70 mm
MB1-10-797-55	24 mm	75 mm

CCR Valve, 8-zahnig lateral, Titan, blau  
CCR blade, 8 teeth lateral, titan, blue



	B – width	T – depth
MB1-10-798-05	24 mm	25 mm
MB1-10-798-10	24 mm	30 mm
MB1-10-798-15	24 mm	35 mm
MB1-10-798-20	24 mm	40 mm
MB1-10-798-25	24 mm	45 mm
MB1-10-798-30	24 mm	50 mm
MB1-10-798-35	24 mm	55 mm
MB1-10-798-40	24 mm	60 mm
MB1-10-798-45	24 mm	65 mm
MB1-10-798-50	24 mm	70 mm
MB1-10-798-55	24 mm	75 mm

CCR Valve, 5-zahnig medial, Titan, blau  
CCR blade, 5 teeth medial, titan, blue



	B – width	T – depth
MB1-10-799-05	24 mm	25 mm
MB1-10-799-10	24 mm	30 mm
MB1-10-799-15	24 mm	35 mm
MB1-10-799-20	24 mm	40 mm
MB1-10-799-25	24 mm	45 mm
MB1-10-799-30	24 mm	50 mm
MB1-10-799-35	24 mm	55 mm
MB1-10-799-40	24 mm	60 mm
MB1-10-799-45	24 mm	65 mm
MB1-10-799-50	24 mm	70 mm
MB1-10-799-55	24 mm	75 mm

CCR Valve, stumpf longitudinal,  
Titan, blau

CCR blade, blunt longitudinal,  
titan, blue

